

KTC LED.PowerSpot 6W Dimmable LED

6W GU10 PAR16 Lamp



Product Overview

Suitable for the most demanding of professional users, Kosnic's KTC-PRO range offers lamps that deliver huge energy savings over halogen lamps without compromising on brightness. The lamps can quickly replace halogen products in accent and general lighting applications, and once in place rapid payback is achieved.

Features

- Save energy up to 85% compared with halogen lamp.
- Direct replacement of GU10 halogen lamp.
- High lumen output.
- Long life of 35,000h.
- Dimmable.
- Instant start.
- No UV output.
- Mercury free.

Safety and Maintenance

- Switch off supply before installing or removing lamp. Allow to cool before handling.
- Do not use in totally enclosed fittings as this will reduce lamp life.
- Do not dispose of in household waste.
- Dispose of in appropriate section of local civic amenity site or recycling centre.

Specifications

Product Code	KTC06DIM/GU10-S30	KTC06DIM/GU10-S40	KTC06DIM/GU10-S65
Lamp Cap	GU10	GU10	GU10
Lamp Shape	PAR16	PAR16	PAR16
Nominal Power (W)	6	6	6
Voltage	220-240Vac 50-60Hz	220-240Vac 50-60Hz	220-240Vac 50-60Hz
Current (mA)	43	43	43
Nominal Useful Luminous Flux (lm)	250	260	270
CCT (K)	3000K Warm White	4000K Cool White	6500K Day Light
Nominal Lifetime (h)	35000	35000	35000
Beam Angle (°)	45	45	45
Dimmable	Yes - See website datasheet	Yes - See website datasheet	Yes - See website datasheet
Switching Cycles	16000	16000	16000
Warm-up time to 60% (S)	Instant full light	Instant full light	Instant full light
Suitable for Accent Lighting	Yes	Yes	Yes
Length (mm)	52.5	52.5	52.5
Diameter (mm)	50	50	50
Mercury (mg)	0	0	0
Clean-up instructions	N/A	N/A	N/A
Retrofit	Yes	Yes	Yes
Equivalent Wattage (W)	38	40	41
Rated Power (W)	6.0	6.0	6.0
Rated Useful Luminous Flux (lm)	250	260	270
Rated Lifetime (h)	35000	35000	35000
Power Factor	0.60	0.60	0.60
Rated Peak Candelas (cd)	310	320	340
Lumen Maintenance Factor at Nominal Lifetime	0.75	0.75	0.75
SDCM of CCT	<6	<6	<6
CRI	81	83	85
Start Time (s)	0.49	0.49	0.49
Ambient Temperature Range (°C)	-20 to 40	-20 to 40	-20 to 40

Notes: The luminous flux quoted is for the output within a 90° cone as per the EU implementing directive on ecodesign requirements for directional lamps; previously published values may represent the total output luminous flux.

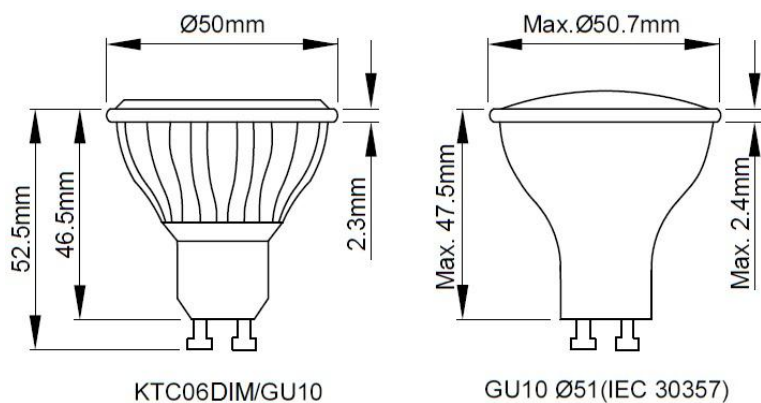
Energy Label

Manufacturer	Kosnic	Kosnic	Kosnic
Product Code	KTC06DIM/GU10-S30	KTC06DIM/GU10-S40	KTC06DIM/GU10-S65
Energy Class	A	A	A
Energy Consumption (kWh/1000h)	6.0	6.0	6.0

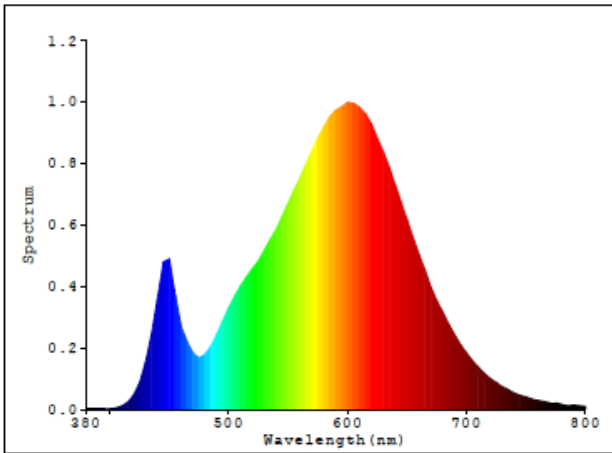
Product Markings

Manufacturer	Kosnic	Kosnic	Kosnic
Product Code	KTC06DIM/GU10-S30	KTC06DIM/GU10-S40	KTC06DIM/GU10-S65
Volts (V)	220-240Vac 50-60Hz	220-240Vac 50-60Hz	220-240Vac 50-60Hz
Nominal Watts (W)	6	6	6
Current (mA)	43	43	43
Nominal Useful Luminous Flux (lm)	250	260	270
CCT (K)	3000	4000	6500
Beam Angle (°)	45	45	45
CE Mark	Yes	Yes	Yes
WEEE Mark	Yes	Yes	Yes
Batch Code	Yes	Yes	Yes

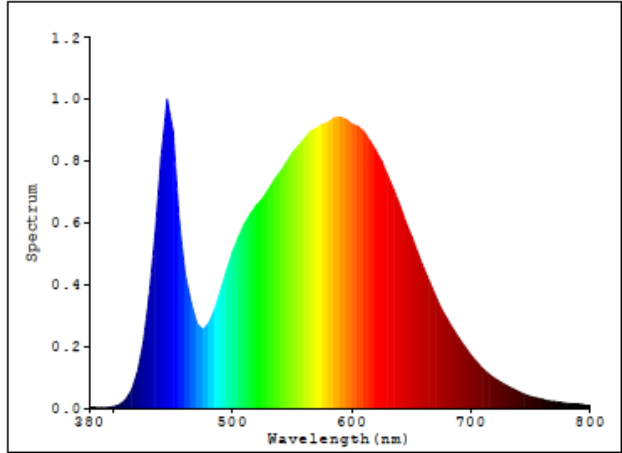
Dimensions



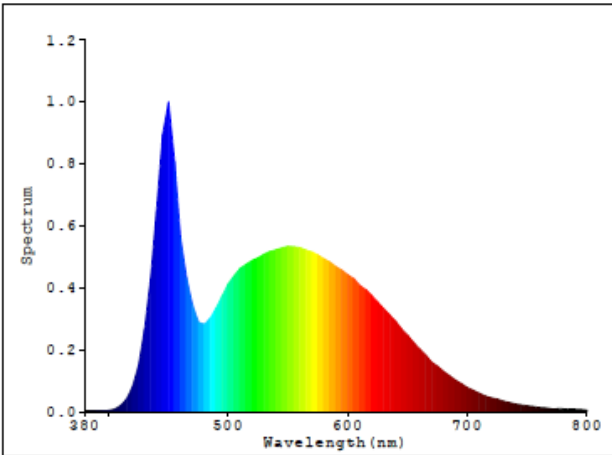
3000K



4000K



6500K



Compatibility

It is important to appreciate that not all dimmer switches will provide effective, smooth and flicker free dimming. The operation of common mains voltage AC dimmers appears similar but the electrical characteristics vary significantly. While this makes no difference to filament lamps, the effect on the electronics within the LED lamp can be dramatic and are often incompatible. Please note that all information in this guide is based on testing under laboratory conditions and should be used as guidance only. Because of the complicated application environment, the huge variation in dimmer construction from one model to another it is not possible to guarantee that a lamp will work with a particular dimmer and undesirable effects could be observed even with recommended dimmer switches. In extreme cases incompatible dimmer switches may damage the lamps. **Please ensure that the set-up is tested for performance before committing to a large project.**

Recommended Dimmer Switches:

Manufacturer	Model	Rating	Notes
VARILIGHT	V.PRO	250/400W	Max 16 lamps. Approx. 65% dimming.
VARILIGHT	ECLIQUE JDQI401S	400W	Max 16 lamps. Approx. 85% dimming.
VARILIGHT	LEDLite Low Load	120W	Max 16 lamps. Approx. 80% dimming.
HAMILTON	L400/2	400W	Max 16 lamps. Approx. 80% dimming.
ZANO	ZGRID500	500W	Max 16 lamps. Approx. 80% dimming.
GET	Multiway G Digital	300W	Max 12 lamps. Approx. 85% dimming.
DANLERS*	DQDGD MK (Grid)	400W	Max 12 lamps. Approx. 80% dimming.
HAMILTON*	H-GDM250W	250W	Max 16 lamps. Approx. 85% dimming.

* Lamps may be asynchronous at lowest point switch on. Raise and lower slightly to synchronize.